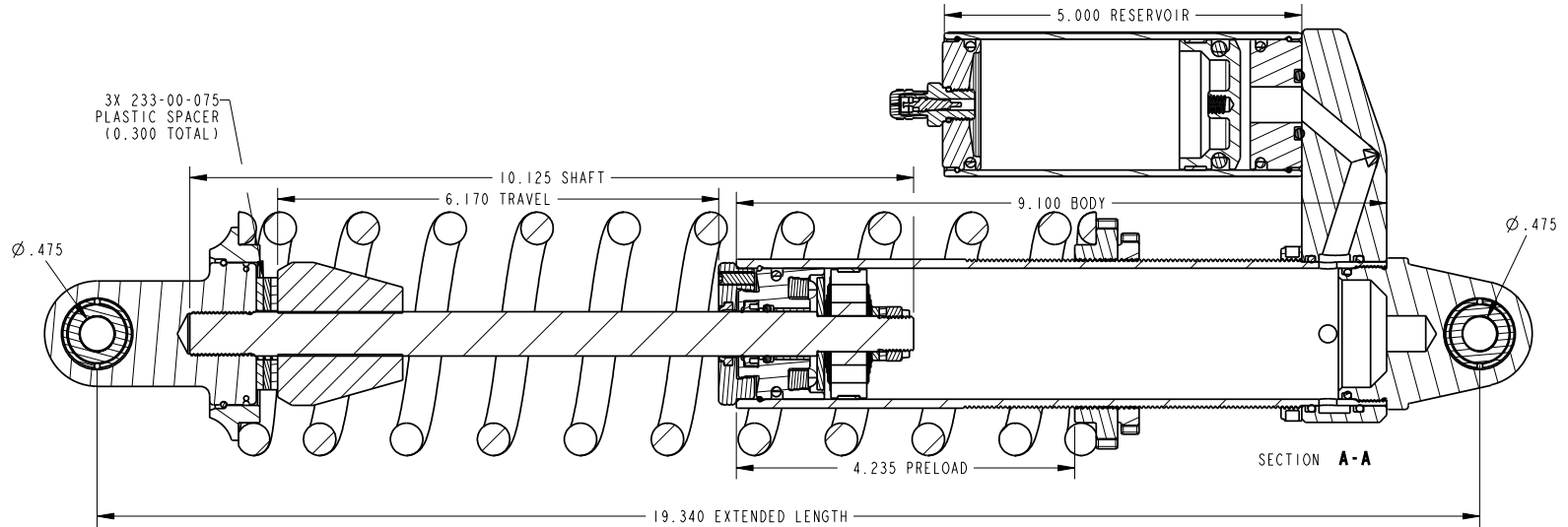
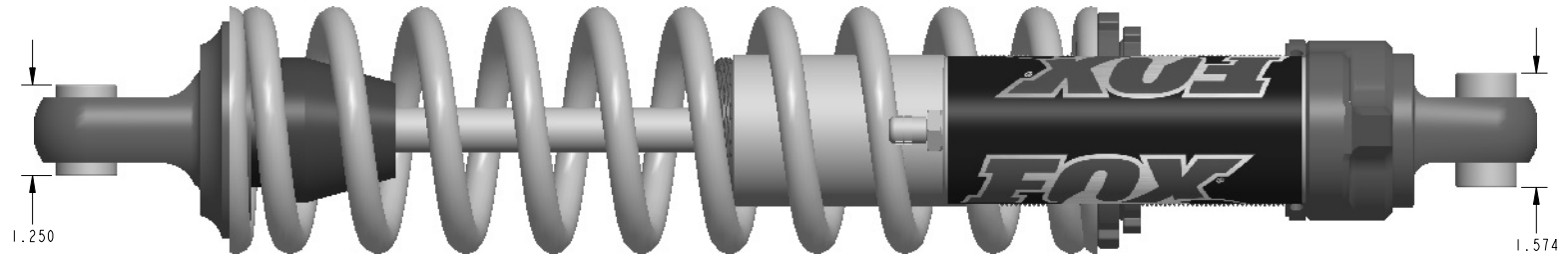


PART NUMBER	ANODIZE COLOR
XXX-99-XXX	FOX BLUE
XXX-02-XXX	BLACK

REVISIONS				
ZONE	REV	DESCRIPTION	DATE	APPROVED
	A	RELEASED TO PRODUCTION	8/14/08	RM



SHOCK SET-UP SPECIFICATIONS

VALVING	80 / 2,1 (BLEED: 2X .070)
PISTON	222-01-056-C
TOP REDUCERS	213-01-142
BOTTOM REDUCERS	213-01-141
OIL	BLUE (025-01-009)
SPRING	039-24-275 (12 X 275)
PRELOAD	1/2"

UNLESS OTHERWISE SPECIFIED DIMENSIONS ARE IN: INCHES (MM)	PER ASME Y14.5M 1994	FOX Factory, Inc. 130 Hangar Way, Watsonville, CA 95076 USA Fax 831-768-9312
	APPROVALS	
TOLERANCES ARE: DECIMALS ± .01 (0,25) ANGLES ± 1° .XXX (.XX) ± .005 (0,13)	DWN. BY R MCNAB	8/13/08
	CHR. BY	
THIRD ANGLE PROJECTION	ENG.	
 DO NOT SCALE DRAWING	MFG.	
	ADD.	
TITLE		RUESCH MOTOR CO LONG TRAVEL - REAR (2-SEAT) [19.3, 6.2]
SIZE DWG. NO.		C 982-99-490-A
PLOT SCALE 0,80:1		SHEET 1 OF 1

THIS DOCUMENT CONTAINS PROPRIETARY INFORMATION THAT IS FOX PROPERTY. DO NOT DISCLOSE TO OR DUPLICATE FOR OTHERS EXCEPT AS AUTHORIZED BY FOX.